

Product Catalogue



CONTENTS



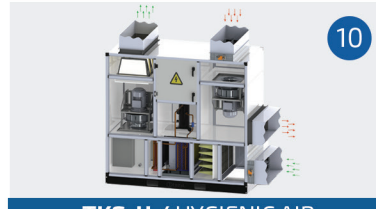
4

TKS / AIR HANDLING UNIT



8

TNAS / POOL DEHUMIDIFICATION UNIT



10

TKS-H / HYGIENIC AIR HANDLING UNITS



12

TKS-R / ROOFTOP



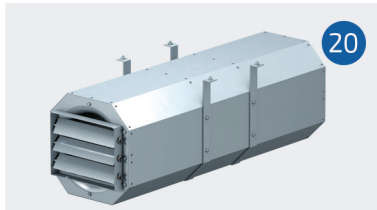
16

TIGK-HP / HEAT PUMP HEAT RECOVERY UNITS



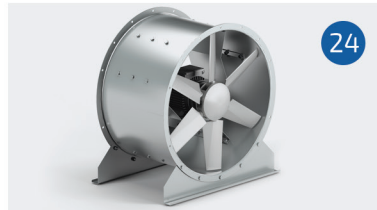
18

TIGK / HEAT RECOVERY UNIT



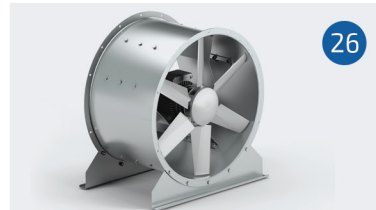
20

TDEF / AXIAL JET FAN



24

TDEF / SMOKE EXHAUST FAN



26

TKAF / AXIAL FAN



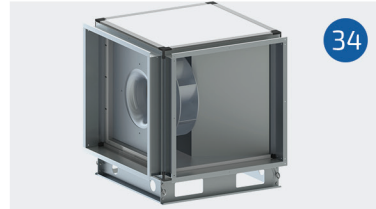
26

THMF-E / ELECTROSTATIC FILTER KITCHEN FAN UNIT



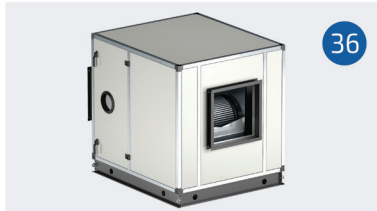
32

THMF / KITCHEN FAN UNIT



34

TMF / KITCHEN EXHUST FAN



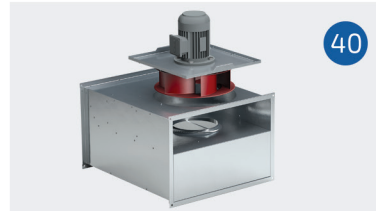
36

THF / VENTILATION UNIT



38

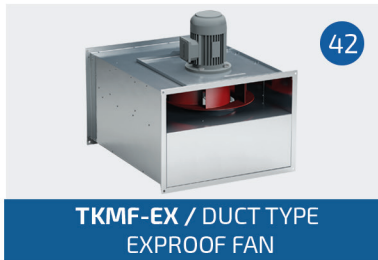
TEH / VENTILATION UNIT



40

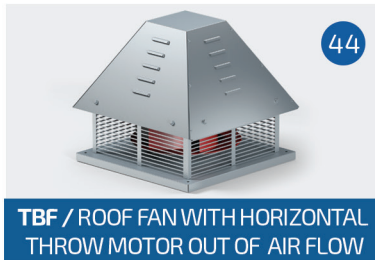
TKMF / DUCT TYPE KITCHEN FAN

export@tezelish.com.tr - satis@tezelish.com.tr



42

TKMF-EX / DUCT TYPE EXPROOF FAN



44

TBF / ROOF FAN WITH HORIZONTAL THROW MOTOR OUT OF AIR FLOW



46

TDBF / ROOF FAN WITH VERTICAL THROW



48

TDKF / RECTANGLE AIR DUCT TYPE FAN



50

TCF / ROOF FAN WITH HORIZONTAL THROW



52

TDCF / ROOF FAN WITH VERTICAL THROW



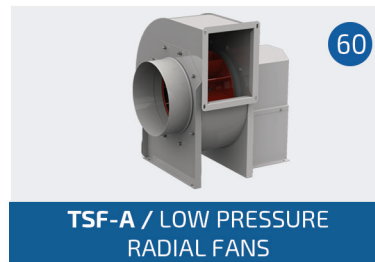
54

TAKF / ACOUSTIC FAN DUCT TYPE



58

TKSF / DUCT TYPE FRESH AIR FAN FOR SHELTER



60

TSF-A / LOW PRESSURE RADIAL FANS



62

TYKF / CYLINDRICAL IN-LINE RADIAL FANS



64

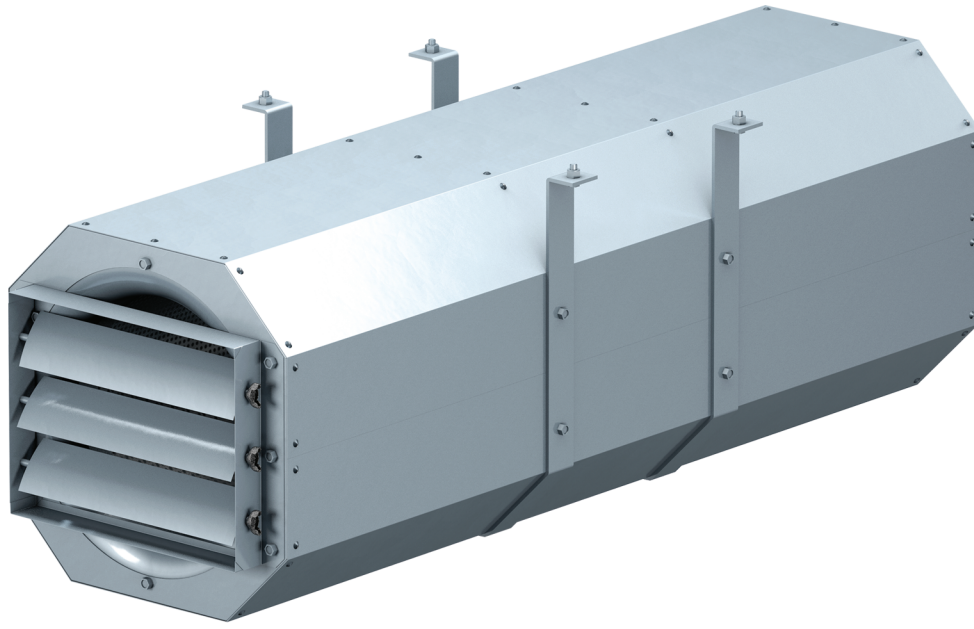
TDA / AXIAL FANS



66

CERTIFICATE





AXIAL JET FAN

TDEF *Efectis*

TDEF Axial Jet Fan

The TDEF series axial fans are developed for ventilation without using any air channels in places such as the parking garages and tunnels. The TEZEL Jet Fans manufactured in line with the EN 12101-3 standards as five series of TDEF315, TDEF400, TDEF450, TDEF560 and TDEF630 provide air volume at the range of 4.750 m³/h – 36.000 m³/h. The wings that are highly productive, aluminum casting and have adjustable angles are used for our jet fans. There are Unilateral or Reversible types.

The TDEF series axial jet fans are designed by the TEZEL engineers in order to create hot smoke exhaust without any interruptions in cases of fire. The engines having the F200/2h, F300/2h, F400/2h fire resistance category and certified with CE and EN are used.

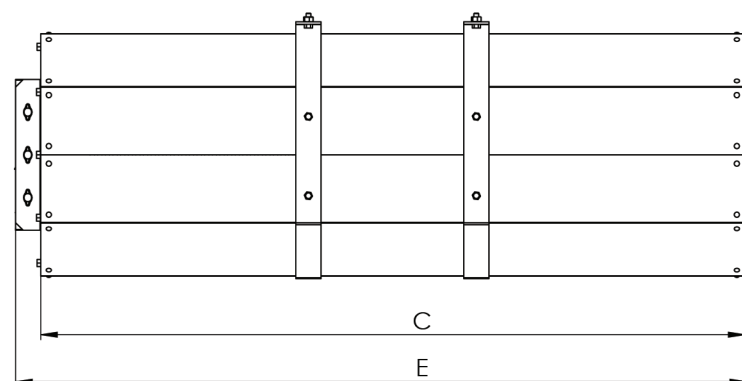
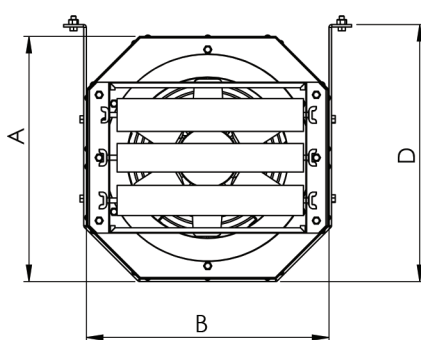
Usage

The ductless parking ventilation systems are the impulse and induction jet-fan smoke evacuation systems. The difference between the impulse and induction jet fans are that the high air velocity in the induction jet fan influences the surrounding air and drags it. As the ventilators of the both systems are short, they can smoothly be mounted on the ceiling of the driveways in the garages. Furthermore, as the air vents of the induction fans are narrow, the air flow can clear the hurdles such as beams. The cost of these systems is rather low compared to the slotted systems. These systems have low sound level in the daily air requirements.

Furthermore, with the advantage of the inductivity, the garage can be ventilated without zero points. As these systems do not have any complicated channel joint or joint with rotating beams, the mounting is rather easy. The energy consumption of these systems is rather low compared to other systems. In terms of static aspect, there is no need for the channel wall holes necessary for the bottom layers. The systems are used for the "Daily Co ventilation" in any kinds of parking garages and "Smoke Exhaust" in case of a fire.

Dimensions

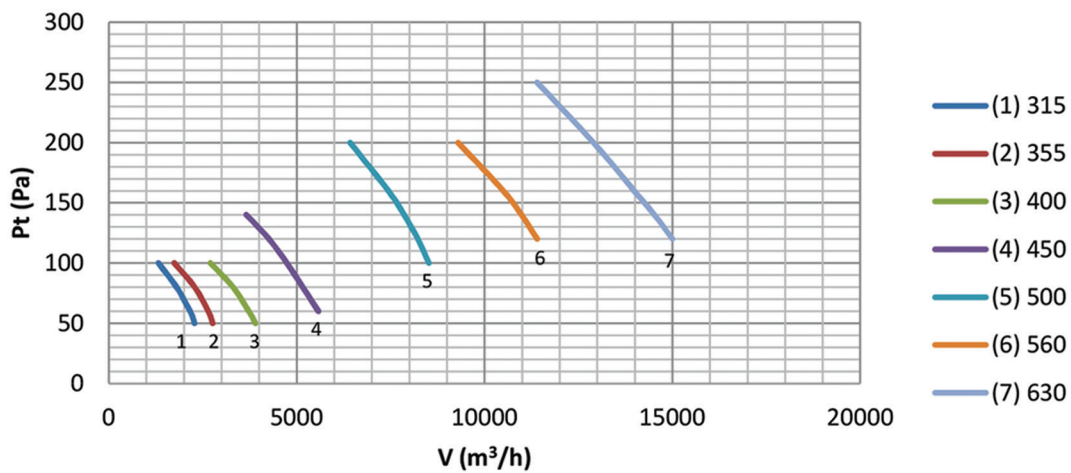
MODEL	A	B	C	D	E
TDEF 315	480	480	1400	500	1450
TDEF 355	530	530	1550	550	1600
TDEF 400	600	600	1700	620	1750
TDEF 450	650	650	1850	670	1900
TDEF 500	700	700	2000	720	2050
TDEF 560	770	770	2150	790	2200
TDEF 630	820	820	2300	840	2250



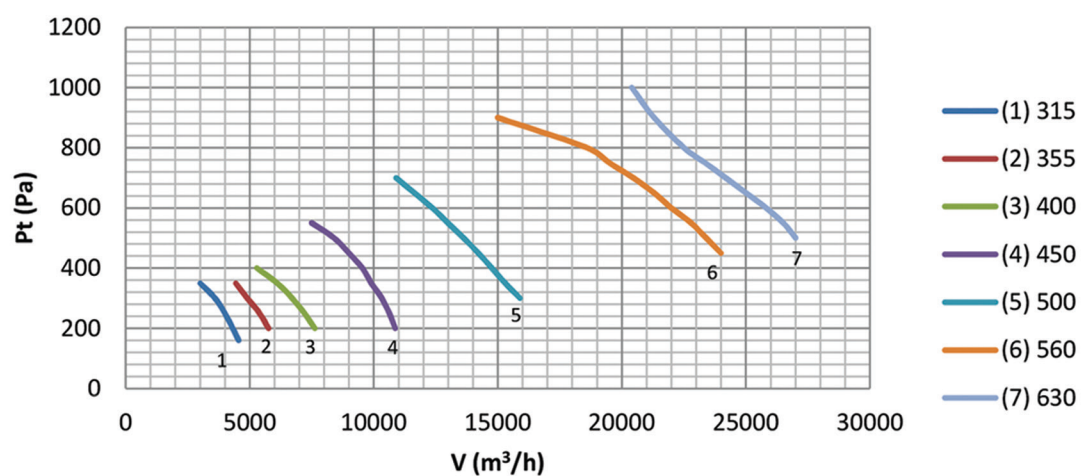
Model Info

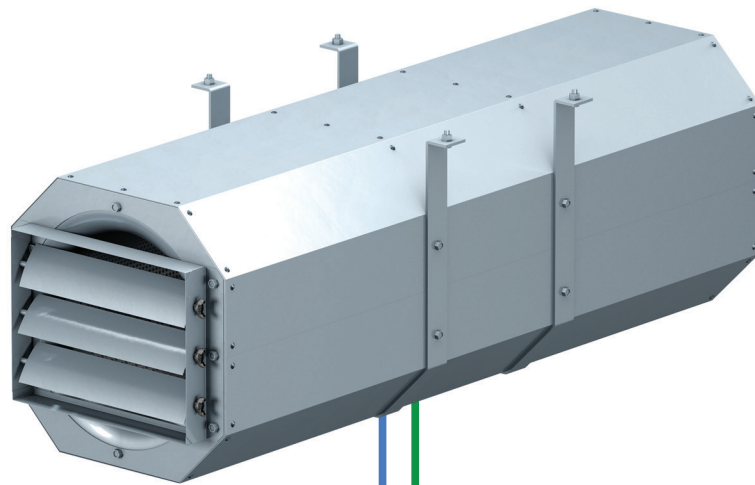
PRODUCT CODE	SPEED (Rpm)	THURST (newton)	AIRFLOW (m ³ /h)	AIR SPEED (m/s)	POWER (kW)	SOUND LEVEL dB(A)
TDEF315	2900/1450	24	4750	16	0,25 / 1,10	75
TDEF355	2900/1450	44	6500	18	0,37 / 1,50	77
TDEF400	2900/1450	64	9000	20	0,50 / 2,20	80
TDEF450	2900/1450	85	12000	21	0,7 / 3,00	85
TDEF500	2900/1450	150	18500	25	0,9 / 4,00	87
TDEF560	2900/1450	240	28000	28	1,25 / 5,50	89
TDEF630	2900/1450	395	36000	33	1,7 / 7,5	92

Ø 315-630 mm (1450 rpm)



Ø 315-630 mm (3000 rpm)





**JETFAN
CONTROLLING**

**CO/NO₂ SENSORS,
UP TO 2 PER FAN**



**TEZEL CONTROL
CENTER**



HEATING • COOLING • AIR CONDITIONING

**ANALOG
TO VFD**

**MAIN SUPPLY
FAN**

**VARIABLE
FREQUENCY DRIVE**

**VARIABLE
FREQUENCY DRIVE**

**MAIN EXHAUST
FAN**





Architecture of high **quality air**



Fatih Mahallesi Yakacık Cd. Sancaktepe - İstanbul - TURKEY

www.tezelish.com.tr



+90 216 311 17 69

satis@tezelish.com.tr



+90 554 534 78 63

export@tezelish.com.tr



+90 506 365 62 54

export@tezelish.com.tr