



Product Catalogue



CONTENTS



4

TKS / AIR HANDLING UNIT



8

TNAS / POOL DEHUMIDIFICATION UNIT



10

TKS-H / HYGIENIC AIR HANDLING UNITS



12

TKS-R / ROOFTOP



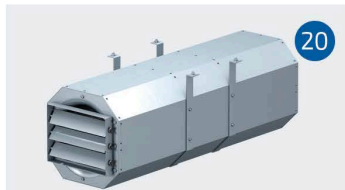
16

TIGK-HP / HEAT PUMP HEAT RECOVERY UNITS



18

TIGK / HEAT RECOVERY UNIT



20

TDEF / AXIAL JET FAN



24

TDEF / SMOKE EXHAUST FAN



26

TKAF / AXIAL FAN



26

THMF-E / ELECTROSTATIC FILTER KITCHEN FAN UNIT



32

THMF / KITCHEN FAN UNIT



34

TMF / KITCHEN EXHUST FAN



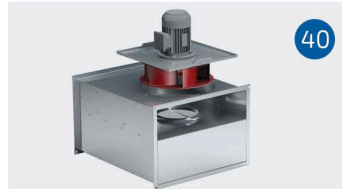
36

THF / VENTILATION UNIT



38

TEH / VENTILATION UNIT



40

TKMF / DUCT TYPE KITCHEN FAN



42

TKMF-EX / DUCT TYPE EXPROOF FAN



44

TBF / ROOF FAN WITH HORIZONTAL THROW MOTOR OUT OF AIR FLOW



46

TDBF / ROOF FAN WITH VERTICAL THROW



48

TDKF / RECTANGLE AIR DUCT TYPE FAN



50

TCF / ROOF FAN WITH HORIZONTAL THROW



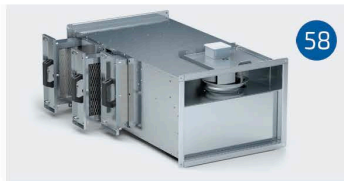
52

TDCF / ROOF FAN WITH VERTICAL THROW



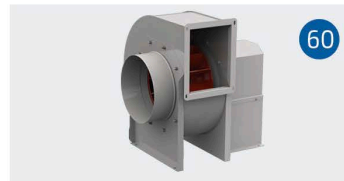
54

TAKF / ACOUSTIC FAN DUCT TYPE



58

TKSF / DUCT TYPE FRESH AIR FAN FOR SHELTER



60

TSF-A / LOW PRESSURE RADIAL FANS



62

TYKF / CYLINDRICAL IN-LINE RADIAL FANS



64

TDA / AXIAL FANS



66

CERTIFICATE



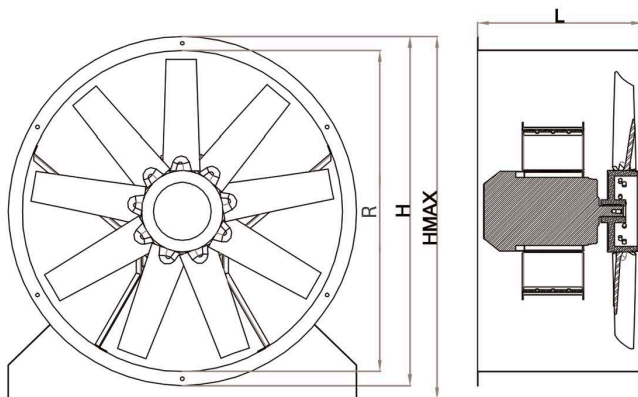
TDEF Efectis

- Its self-flanged structure which displaces little space enables easy assembly to both channels.
- Based on customer requests, we have cup joint-cell type and roof type production.
- Fan wings (fins) are adjustable type and they are produced from high quality aluminium.
- BS729 hot dipping steel sheet body structure feature.
- Based on the physical properties of the environment, it enables vertical and horizontal ways of assembly.
- Accessories such as connection flange, terminal box, assembly assy. and vibration chocks are provided with the device as accessories.
- Dual and single speed engine alternatives are available.

SMOKE EXHAUST FAN

Dimensions

MODEL	R	H	L	HMAX
TDEF400	400	460	400	430
TDEF450	450	510	400	430
TDEF500	500	560	400	430
TDEF560	560	630	400	430
TDEF630	630	700	500	530
TDEF710	710	780	500	530
TDEF800	800	880	560	590
TDEF900	900	970	630	660
TDEF1000	1000	1070	630	660
TDEF1120	1120	1200	710	740
TDEF1250	1250	1330	710	740



Model Info

PRODUCT CODE	POWER (kW)	SPEED (Rpm)	AIRFLOW (m ³ / h)				
			200Pa	300Pa	400Pa	500Pa	600Pa
TDEF400	0,75	3000	4.800	3.600	2.500	-	-
	1,1	3000	5.600	4.800	3.700	-	-
	1,5	3000	6.300	5.500	4.500	3.500	-
TDEF450	1,5	3000	8.000	6.800	5.500	4.300	3200
	2,2	3000	9.500	8.500	7.500	6.500	4500
	3	3000	11.500	10.000	9.000	7.000	5000
TDEF500	4	3000	14.500	13.000	12.000	10.500	9000
	5,5	3000	16.000	15.000	13.500	12.500	10500
TDEF560	4	3000	17.000	15.500	14.500	12.500	10000
	7,5	3000	21.500	20.000	19.000	17.500	16500
TDEF630	4	3000	19.000	17.200	15.500	14.000	11500
	5,5	3000	22.000	20.000	19.000	17.000	15000
	7,5	3000	26.000	24.000	22.500	21.500	19000
TDEF710	2,2	1500	15.000	10.000	-	-	-
	3	1500	17.500	14.000	9.000	-	-
	4	1500	20.000	17.500	12.500	-	-
TDEF800	4	1500	25.000	21.500	16.000	12.000	-
	5,5	1500	30.000	25.000	20.000	14.000	-
	7,5	1500	34.000	30.000	26.000	19.000	-
TDEF900	5,5	1500	35.000	30.000	22.500	18.000	14000
	7,5	1500	39.000	36.000	31.000	25.000	18000
	11	1500	47.500	42.000	38.000	32.000	22000
TDEF1000	7,5	1500	46.000	40.000	35.000	27.500	22500
	11	1500	55.000	50.000	45.000	37.500	30000
	15	1500	60.000	55.000	50.000	45.000	37500
	18,5	1500	67.500	65.000	57.500	51.000	45000
TDEF1120	11	1500	57.000	52.000	48.000	42.500	35000
	15	1500	65.000	60.000	57.500	52.000	42500
	18,5	1500	75.000	70.000	67.000	62.000	52000
	22	1500	84.000	80.000	75.000	70.000	62500
TDEF1250	15	1500	70.000	65.000	60.000	52.500	47500
	18,5	1500	80.000	75.000	70.000	65.000	60000
	22	1500	87.500	82.500	77.500	72.500	67500
	30	1500	105.000	96.000	90.000	86.000	82500



Architecture of high **quality air**



Fatih Mahallesi Yakacık Cd. Sancaktepe - İstanbul - TURKEY

www.tezelish.com.tr

	+90 216 311 17 69	satis@tezelish.com.tr
	+90 554 534 78 63	export@tezelish.com.tr
	+90 506 365 62 54	export@tezelish.com.tr