

Product Catalogue



CONTENTS



4

TKS / AIR HANDLING UNIT



8

TNAS / POOL DEHUMIDIFICATION UNIT



10

TKS-H / HYGIENIC AIR HANDLING UNITS



12

TKS-R / ROOFTOP



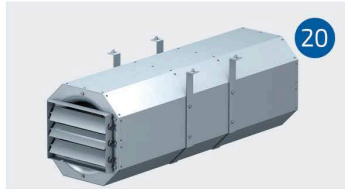
16

TIGK-HP / HEAT PUMP HEAT RECOVERY UNITS



18

TIGK / HEAT RECOVERY UNIT



20

TDEF / AXIAL JET FAN



24

TDEF / SMOKE EXHAUST FAN



26

TKAF / AXIAL FAN



26

THMF-E / ELECTROSTATIC FILTER KITCHEN FAN UNIT



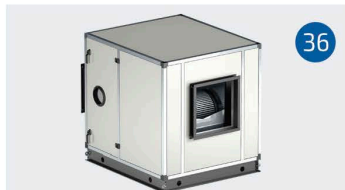
32

THMF / KITCHEN FAN UNIT



34

TMF / KITCHEN EXHUST FAN



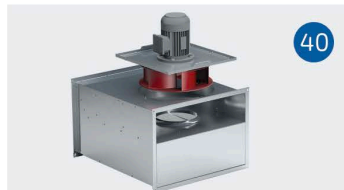
36

THF / VENTILATION UNIT



38

TEH / VENTILATION UNIT



40

TKMF / DUCT TYPE KITCHEN FAN



42

TKMF-EX / DUCT TYPE EXPROOF FAN



44

TBF / ROOF FAN WITH HORIZONTAL THROW MOTOR OUT OF AIR FLOW



46

TDBF / ROOF FAN WITH VERTICAL THROW



48

TDKF / RECTANGLE AIR DUCT TYPE FAN



50

TCF / ROOF FAN WITH HORIZONTAL THROW



52

TDCF / ROOF FAN WITH VERTICAL THROW



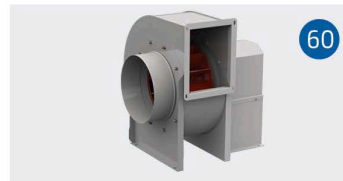
54

TAKF / ACOUSTIC FAN DUCT TYPE



58

TKSF / DUCT TYPE FRESH AIR FAN FOR SHELTER



60

TSF-A / LOW PRESSURE RADIAL FANS



62

TYKF / CYLINDRICAL IN-LINE RADIAL FANS



64

TDA / AXIAL FANS



66

CERTIFICATE





VENTILATION UNIT

Model Info

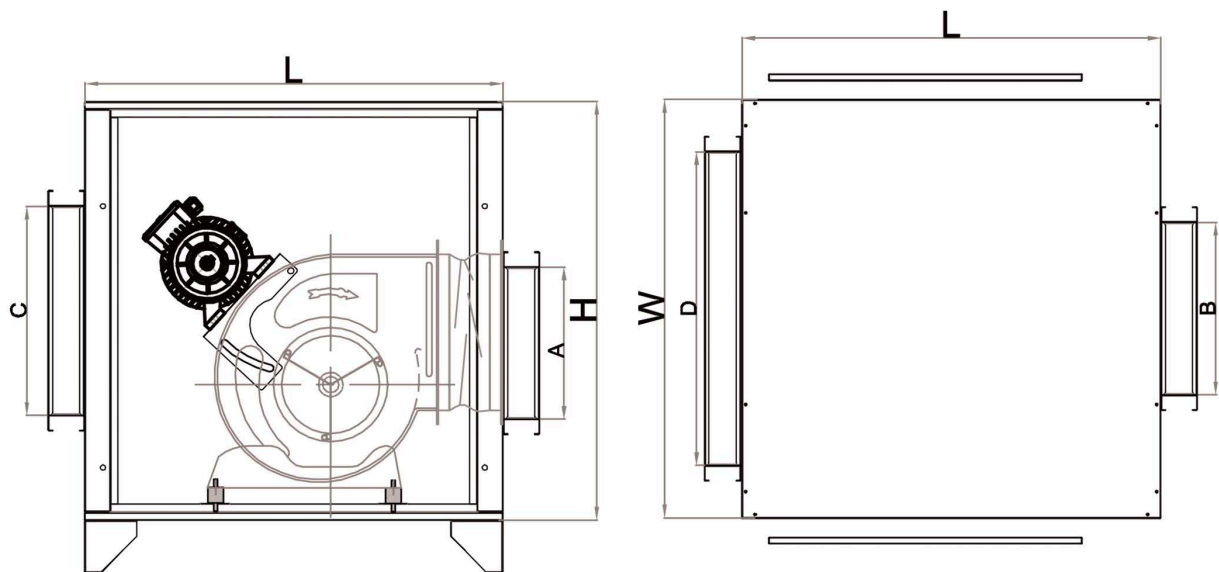
| PRODUCT CODE | VOLTAGE (V) | FREQUENCY (Hz) | POWER (kW) | SOUND LEVEL dB(A) | AIRFLOW (m ³ /h) | PRESSURE (Pa) |
|--------------|-------------|----------------|------------|-------------------|-----------------------------|---------------|
| TEH7 | 380 | 50 | 0.75 | 73.00 | 2500 | 250 |
| TEH9 | 380 | 50 | 1.1 | 75.00 | 3500 | 350 |
| TEH10 | 380 | 50 | 1.5 | 77.00 | 5000 | 350 |
| TEH12 | 380 | 50 | 2.2 | 78.00 | 7500 | 350 |
| TEH15 | 380 | 50 | 3 | 80.00 | 10000 | 350 |

TEH

- Panels are manufactured as single walled and they are coated with 10 mm. acoustic insulation.
- They consist of electrostatic powder painted panels.
- They offer an economic solution thanks to its no-profile structure with no walls.
- Thanks to its compact design and easily replaceable suction/lift-force features, they can perform aspiration and ventilation functions.
- Full impermeability/water tightness can be maintained by means of a special sealing system
- Manufactured in line with TSE 60335-1 and TSE 60335-2-80 standards.

Dimensions

| MODEL | L | H | W | A | B | C | D |
|-------|-----|-----|-----|-----|-----|-----|-----|
| TEH7 | 600 | 600 | 600 | 210 | 230 | 300 | 450 |
| TEH9 | 700 | 700 | 700 | 260 | 300 | 300 | 500 |
| TEH10 | 800 | 800 | 800 | 290 | 330 | 400 | 600 |
| TEH12 | 900 | 900 | 900 | 340 | 395 | 500 | 700 |
| TEH15 | 950 | 950 | 950 | 405 | 470 | 600 | 800 |





Architecture of high **quality air**



Fatih Mahallesi Yakacık Cd. Sancaktepe - İstanbul - TURKEY

www.tezelish.com.tr

| | | |
|---|-------------------|--|
|  | +90 216 311 17 69 | satis@tezelish.com.tr |
|  | +90 554 534 78 63 | export@tezelish.com.tr |
|  | +90 506 365 62 54 | export@tezelish.com.tr |