

Product Catalogue



CONTENTS



4

TKS / AIR HANDLING UNIT



8

TNAS / POOL DEHUMIDIFICATION UNIT



10

TKS-H / HYGIENIC AIR HANDLING UNITS



12

TKS-R / ROOFTOP



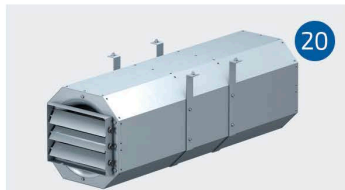
16

TIGK-HP / HEAT PUMP HEAT RECOVERY UNITS



18

TIGK / HEAT RECOVERY UNIT



20

TDEF / AXIAL JET FAN



24

TDEF / SMOKE EXHAUST FAN



26

TKAF / AXIAL FAN



26

THMF-E / ELECTROSTATIC FILTER KITCHEN FAN UNIT



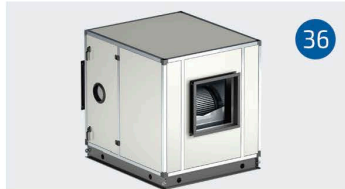
32

THMF / KITCHEN FAN UNIT



34

TMF / KITCHEN EXHUST FAN



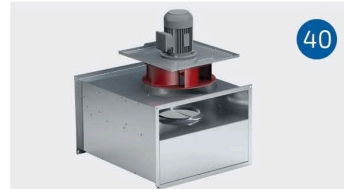
36

THF / VENTILATION UNIT



38

TEH / VENTILATION UNIT



40

TKMF / DUCT TYPE KITCHEN FAN

export@tezelish.com.tr - satis@tezelish.com.tr



42

TKMF-EX / DUCT TYPE EXPROOF FAN



44

TBF / ROOF FAN WITH HORIZONTAL THROW MOTOR OUT OF AIR FLOW



46

TDBF / ROOF FAN WITH VERTICAL THROW



48

TDKF / RECTANGLE AIR DUCT TYPE FAN



50

TCF / ROOF FAN WITH HORIZONTAL THROW



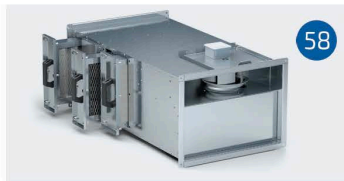
52

TDCF / ROOF FAN WITH VERTICAL THROW



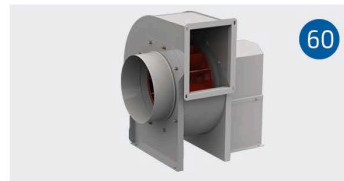
54

TAKF / ACOUSTIC FAN DUCT TYPE



58

TKSF / DUCT TYPE FRESH AIR FAN FOR SHELTER



60

TSF-A / LOW PRESSURE RADIAL FANS



62

TYKF / CYLINDRICAL IN-LINE RADIAL FANS



64

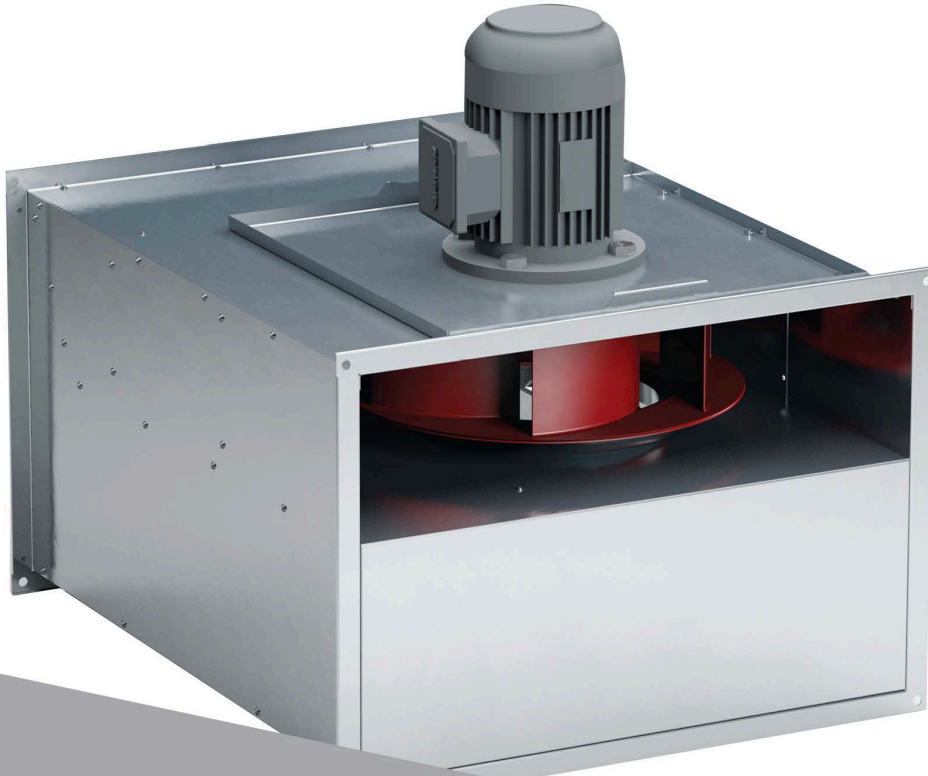
TDA / AXIAL FANS



66

CERTIFICATE





DUCT TYPE EXPROOF FAN

Model Info

| PRODUCT CODE | VOLTAGE (V) | FREQUENCY (Hz) | POWER (kW) | SPEED (Rpm) | SOUND LEVEL dB(A) | AIRFLOW (m ³ /h) | | | |
|--------------|-------------|----------------|------------|-------------|-------------------|-----------------------------|-------|-------|-------|
| | | | | | | 100Pa | 200Pa | 300Pa | 400Pa |
| TKMF-EX35 | 380 | 50 | 0,75 | 1450 | 73,00 | 2990 | 2498 | 1820 | - |
| TKMF-EX40 | 380 | 50 | 0,75 | 1450 | 75,00 | 4304 | 3792 | 3167 | 2275 |
| TKMF-EX45 | 380 | 50 | 1,1 | 1450 | 77,00 | - | 5628 | 5036 | 4246 |
| TKMF-EX50 | 380 | 50 | 1,5 | 1450 | 78,00 | - | 8306 | 7690 | 6950 |
| TKMF-EX56 | 380 | 50 | 2,2 | 1450 | 80,00 | - | 12032 | 11350 | 10600 |



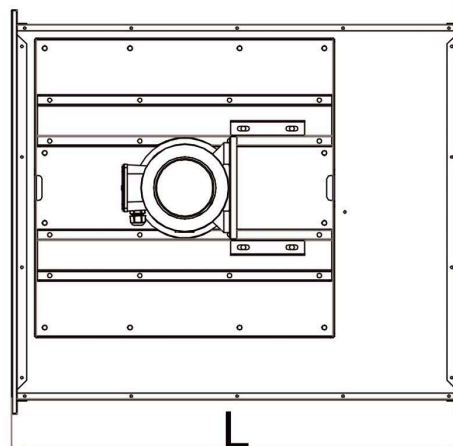
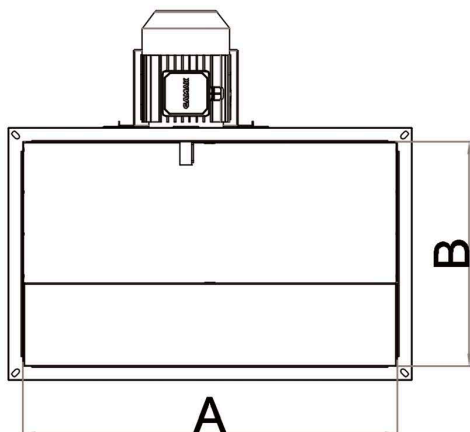
VFDs allow you to match the speed of the motor-driven equipment to the load requirement. There is no other method of AC electric motor control that allows you to accomplish this.

TKMF-EX

- ATEX certified motors and fans designed for explosive environments are used.
- Body is manufactured from galvanized steel.
- It was designed and produced to be used with rectangular channels.
- High efficiency NICOTRA plug fans with high efficiency selected on computer environment with special selection program are used.
- Engine air flow is left out thus, it is not affected from oily and hot exhaust air.
- Manufactured in line with TSE 60335-1 and TSE 60335-2-80 standards.

Dimensions

| MODEL | A | B | L |
|--------|-----|-----|------|
| TKMF35 | 600 | 400 | 750 |
| TKMF40 | 700 | 450 | 800 |
| TKMF45 | 750 | 450 | 900 |
| TKMF50 | 800 | 500 | 900 |
| TKMF56 | 900 | 550 | 1000 |





Architecture of high **quality air**



Fatih Mahallesi Yakacık Cd. Sancaktepe - İstanbul - TURKEY

www.tezelish.com.tr

| | | |
|--|-------------------|--|
| | +90 216 311 17 69 | satis@tezelish.com.tr |
| | +90 554 534 78 63 | export@tezelish.com.tr |
| | +90 506 365 62 54 | export@tezelish.com.tr |